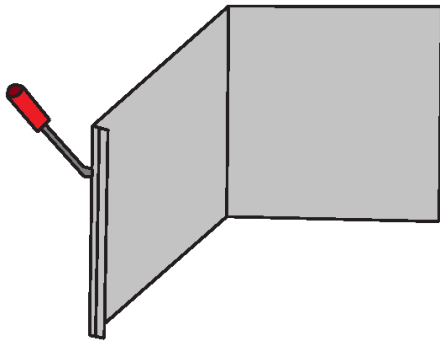


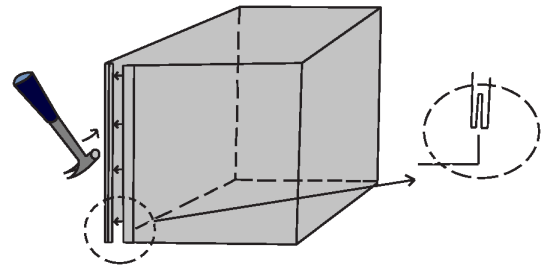
# PLENUM

## INSTALLATION INSTRUCTIONS

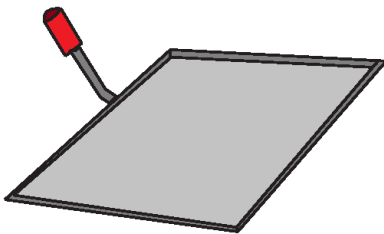
1. Take a flathead screwdriver and slightly open up the metal of the Plenum, going down along the pinched side.



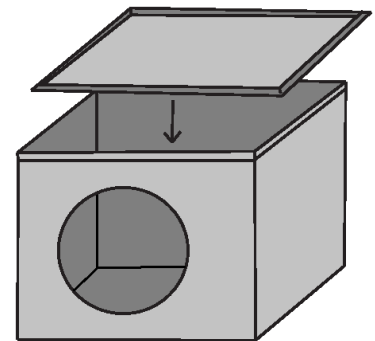
2. Insert the flat side of the metal into the pinched side. Starting from the top, use a hammer to bang the two pieces together, while utilizing a screwdriver to correctly line up the pieces as necessary.



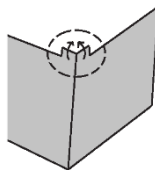
3. Go around the lid with the flathead screwdriver, slightly opening up all of the pinched portions.



4. Fit the lid into one corner and slowly make your way around the entire box, ensuring that the lip goes into the fold.



5. Once the Plenum lid is securely on, hammer each corner with an inward motion, creating a bend over the lid, holding it firmly in place.



We recommend adding a Plenum to improve the process of Indoor Air Handler installation and efficiency, as it is easily mounted to the unit.

For more information, please visit:  
[www.excelairsystems.com/plenum](http://www.excelairsystems.com/plenum)