

TOP SUPPLY AIR
CONFIGURATION SHOWN
BOTTOM CAN ALSO BE
CONFIGURED FOR SUPPLY AIR

LEFT SUPPLY AIR
CONFIGURATION

RIGHT VIEW
NO SUPPLY AIR SHOWN
CAN BE CONFIGURED FOR RIGHT SUPPLY AIR

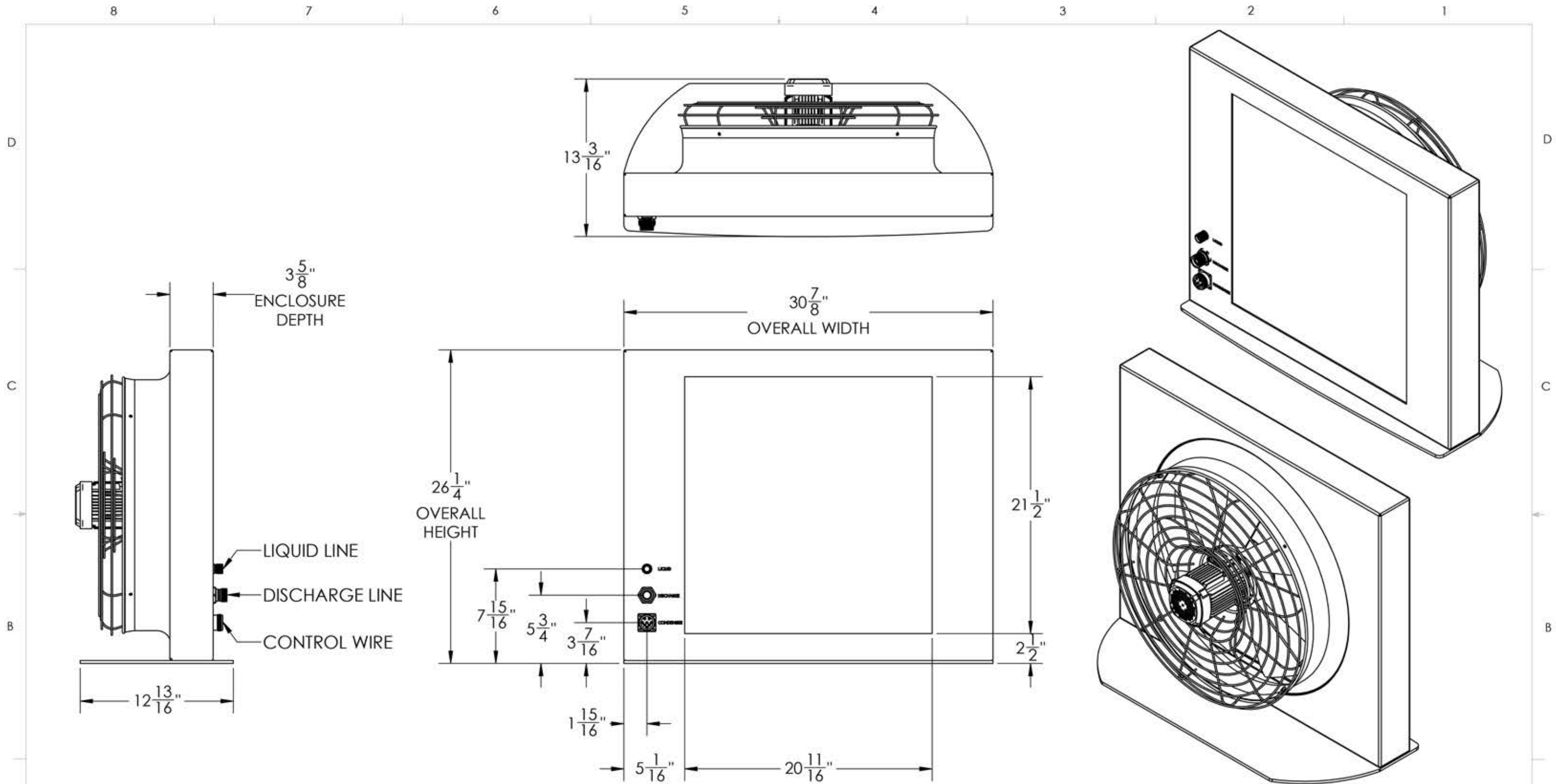
PROPRIETARY AND CONFIDENTIAL
THE INFORMATION CONTAINED IN THIS
DRAWING IS THE SOLE PROPERTY OF EXCEL
AIR SYSTEMS. ANY REPRODUCTION IN
PART OR AS A WHOLE WITHOUT THE
WRITTEN PERMISSION OF EXCEL AIR
SYSTEMS IS PROHIBITED.

UNLESS OTHERWISE SPECIFIED:
DIMENSIONS ARE IN INCHES
TOLERANCES:
FRACTIONAL: ±1/32
ANGULAR: ±0.5°
TWO PLACE DECIMAL ±0.030
THREE PLACE DECIMAL ±0.010
ALL EDGES TO BE FREE FROM BURRS
MATERIAL
FINISH
DO NOT SCALE DRAWING

NAME	DATE
DRAWN EDC	8/26/2018
CHECKED	
ENG APPR.	
MFG APPR.	
Q.A.	



EXCEL AIR SYSTEMS #120-20170 Stewart Crescent, Maple Ridge, BC, V2X 0T4		
TITLE: Evolution Compact Air Handler 2 Ton Cube Submittal		
SIZE B	DWG. NO. EA-12	REV C
SCALE: 1:12		SHEET 1 OF 1



UNLESS OTHERWISE SPECIFIED:

DIMENSIONS ARE IN INCHES
 TOLERANCES:
 FRACTIONAL: $\pm 1/32$
 ANGULAR: $\pm 0.5^\circ$
 TWO PLACE DECIMAL: ± 0.030
 THREE PLACE DECIMAL: ± 0.010

ALL EDGES TO BE FREE FROM BURRS

MATERIAL

FINISH

DO NOT SCALE DRAWING

NAME	DATE
DRAWN EDC	8/27/2018
CHECKED	
ENG APPR.	
MFG APPR.	
Q.A.	



EXCEL AIR SYSTEMS
 #120-20170 Stewart Crescent, Maple Ridge, BC, V2X 0T4

TITLE:
 Outdoor Condenser
 2 Ton, 23" Fan
 Submittal

SIZE	DWG. NO.	REV
B	EA-01	G

SCALE: 1:8 SHEET 1 OF 1

PROPRIETARY AND CONFIDENTIAL
 THE INFORMATION CONTAINED IN THIS DRAWING IS THE SOLE PROPERTY OF EXCEL AIR SYSTEMS. ANY REPRODUCTION IN PART OR AS A WHOLE WITHOUT THE WRITTEN PERMISSION OF EXCEL AIR SYSTEMS IS PROHIBITED.